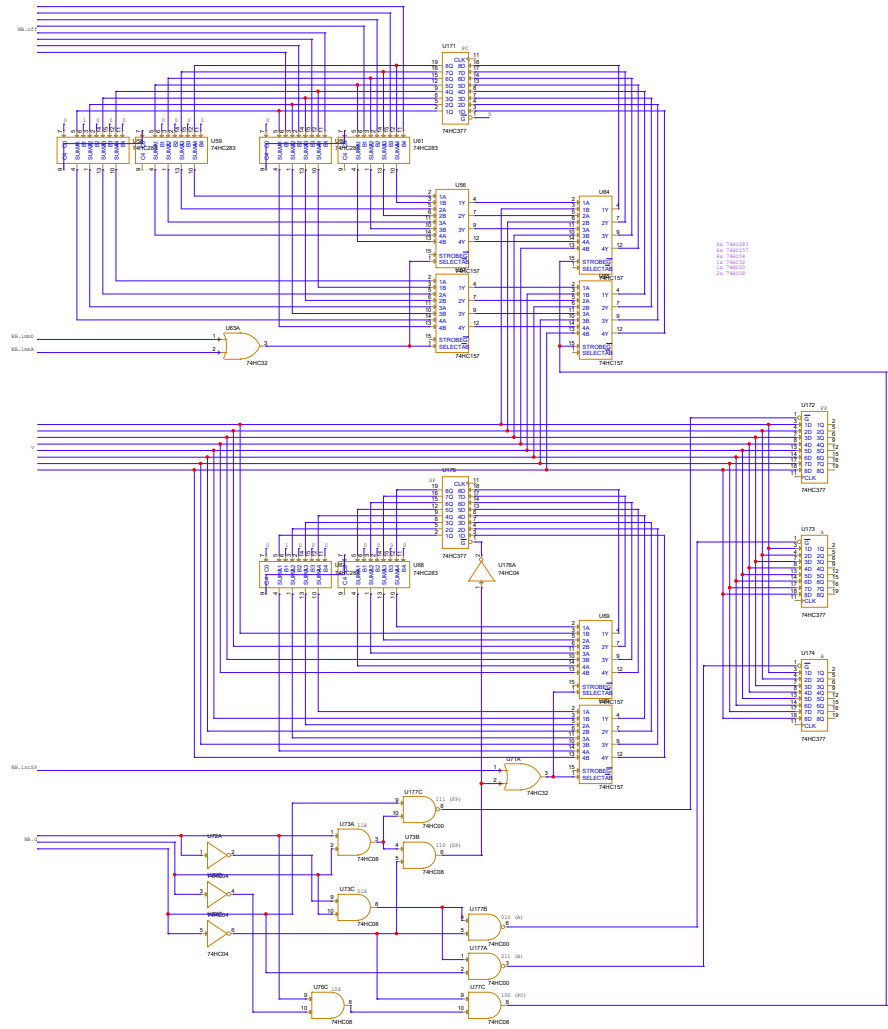


NOTE: There are 2x74HC238, per for a total of 4x 74HC238, so only 2x74HC238 is needed, for each 74HC377 and 74HC375.



U171  
U172  
U173  
U174